



CABLE 156 RF: RF CABLE ASSEMBLY, HIROSE U.FL + 1.32 DUAL SHIELD CABLE + STRIP / TIN

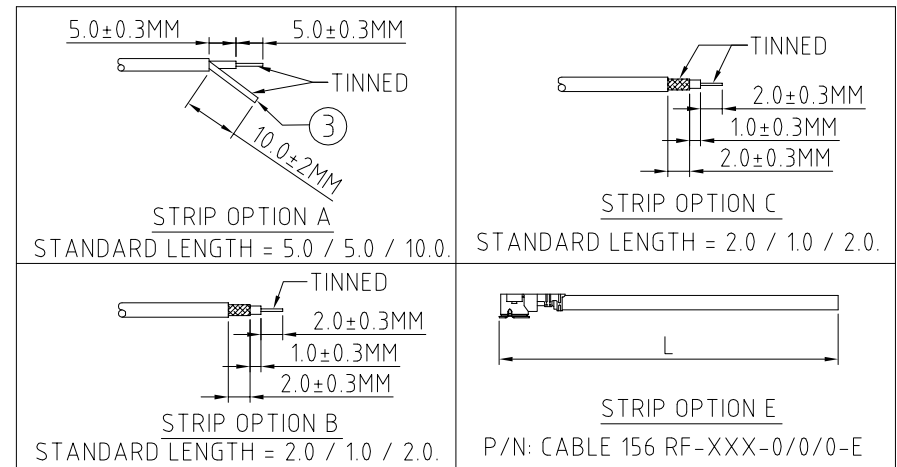
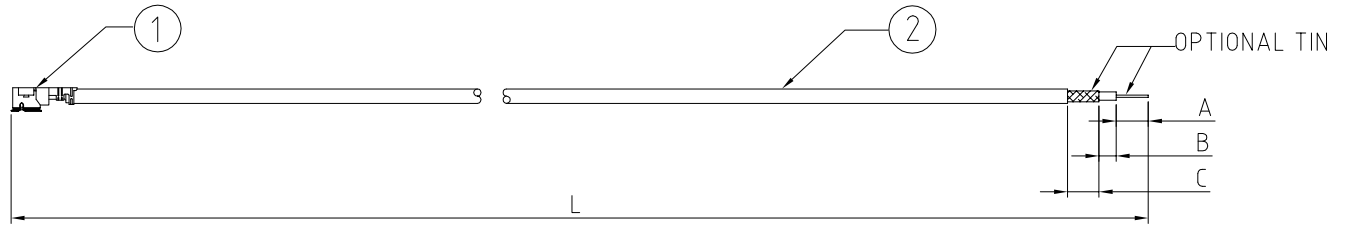
SPECIFICATIONS :

- HIROSE U.FL PLUG (P/N: U.FL-LP-066)
- 1.32MM DUAL SHIELD COAXIAL CABLE, COLOR: GRAY
- TWISTED BRAID OR FLEXIBLE COPPER WIRE, LENGTH = A (CENTRE CONDUCTOR) + B (INSULATOR). MINIMUM = 6.0MM. LENGTH 6.0MM - 9.9MM: TWISTED BRAID. LENGTH +10MM: FLEXIBLE COPPER WIRE.

**USAGE PRECAUTIONS: CABLES USING 'MICRO' COAX ARE DELICATE:**  
 (i) HANDLE WITH CARE.  
 (ii) DO NOT TWIST; APPLY EXCESSIVE FORCES OR SHARP BENDS TO THE CABLE. DO NOT FORCEFULLY DEFORM WIRES.  
 (iii) CONSULT CONNECTOR MANUFACTURER'S DATASHEETS FOR DETAILED NOTES ON HANDLING INSTRUCTIONS.

NOTES:

- STRIP DIMENSION A / B / C STANDS FOR  
 A = CENTRE CONDUCTOR  
 B = INSULATOR  
 C = BRAID.
- INSERTION LOSS TEST REPORT IS NOT AVAILABLE.
- THIS IS OUR STANDARD OFFERING, SPECIAL DESIGNS ARE AVAILABLE, INCLUDING CUSTOM TOLERANCES AND SPECIAL BRAID TINNING DESIGNS. PLEASE CONTACT GRADCONN FOR MORE INFORMATION.
- CENTRE CONDUCTOR AND TWISTED BRAID OF COAX CABLE IS TINNED. WHEN BRAID LENGTH EXCEEDS 10MM LENGTH OF TINNED COPPER WIRE IS SOLDERED TO THE BRAID/SHIELD OF THE COAX CABLE WHICH ALLOWS SOLDERING TO PCB.
- OPERATING TEMPERATURE: -40°C TO +85°C.
- IMPEDANCE: 50 OHM.



HOW TO ORDER  
 CABLE 156 RF - X X X - X.X / X.X / X.X - X

"L" LENGTH IN MM  
 eg: 100MM = 100  
 (MIN. 025 - MAX. 400)  
 STANDARD : 100, 150, 200  
 Tolerance: <50mm : ±2mm  
 51-200mm : ±5mm  
 201-400mm : ±7mm

A/B/C STRIP DIMENSION IN MM  
 FOR STANDARD LENGTH PLEASE  
 REFER TO DRAWINGS.  
 (SPECIALS AVAILABLE UPON  
 REQUEST.)

STRIP AND TIN OPTIONS:  
 A = CENTER CONDUCTOR & TWISTED BRAID/SOLDERED COPPER WIRE TINNED (SEE NOTE 4 FOR SOLDER TO PCB APPLICATION)  
 B = STRIPPED, END A TINNED  
 C = STRIPPED, END A & C TINNED  
 E = CLEAN CUT

P/N: CABLE 156 RF-XXX-0/0/0-E

REV. DATE & DRN  
 10 29/10/13 - NYW RELEASE  
 11 22/05/15 - NYW REMOVE STRIP OPTION 'D'. REMOVE STRIP OPTION 'A'.  
 12 01/27/23 - NYW ADD STRIP OPTION E.

Scale: NTS	THIRD ANGLE	Unstated Connector Tolerances: ±0.2 STRIP ±0.3	Material SEE NOTE
Drawn: NYW		ANGLES ±5	
App'd: XXX	Title CABLE ASSEMBLY	NOT TO SCALE	
Date: 1 DEC. '23	Revision: 1.2	Unit: mm	

www.gradconn.com

THIS DRAWING IS CONFIDENTIAL AND MUST NOT BE COPIED OR DISCLOSED WITHOUT WRITTEN CONSENT

Type: Cable 156 RF
CABLE 156 RF
Drawing Number:
Sheet 1 of 1
Drawing © E and O E